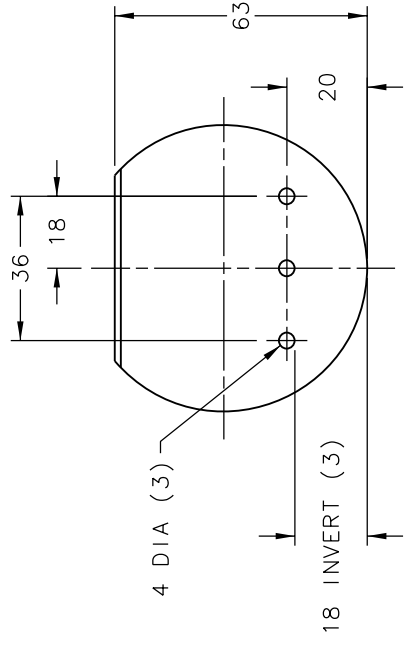
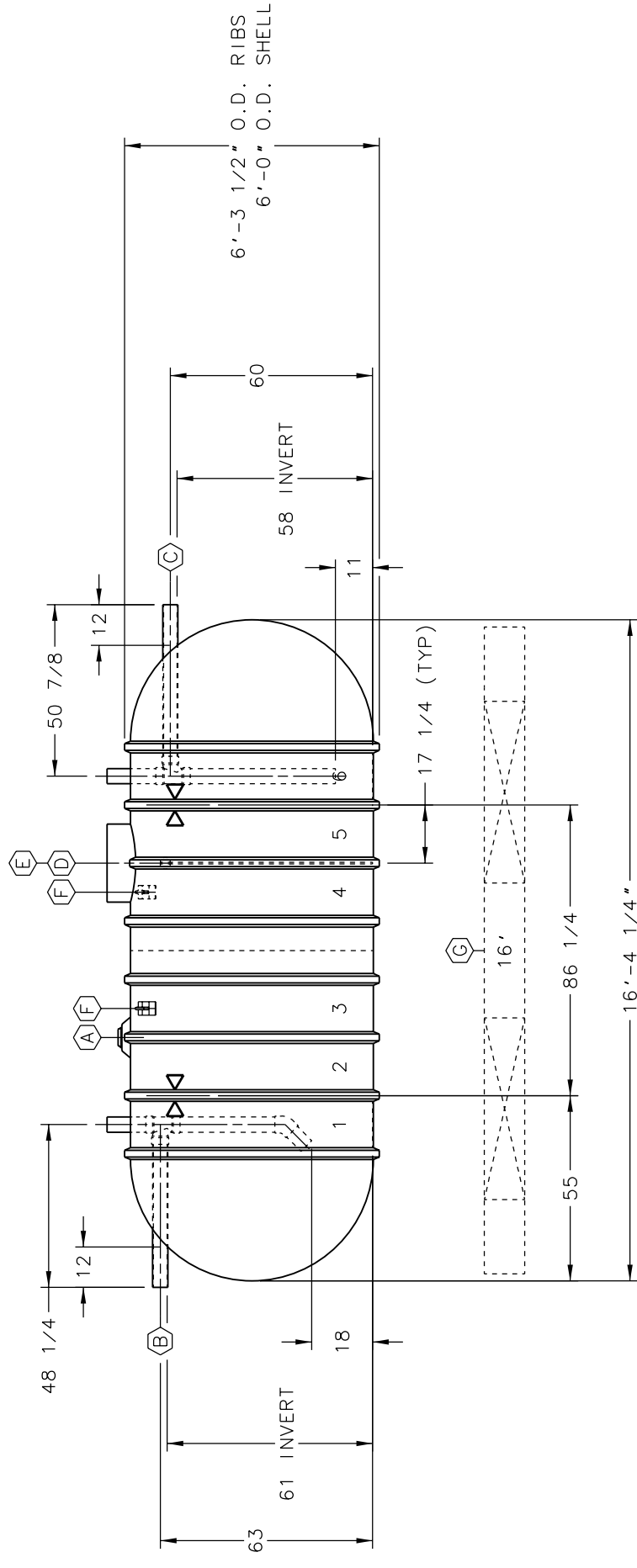


NOTE:

- 1 - INVERT DIMENSION FROM TANK I.D..
- 2 - OPTIONAL PREFABRICATED DEADMEN SHOWN. IF DEADMEN ARE ADDED TO THE ORDER, ACCOMMODATIONS MAY BE REQUIRED TO SECURE THE STRAPS TO THE DEADMEN.
- 3 - NOMINAL TANK WEIGHT: 2,200 LBS.



**BAFFLE DETAIL**



ITEM	QTY	DESCRIPTION
(A)	1	4"NPT MONITOR FITTING
(B)	1	4"DIA SCH 40 PVC INLET PIPE WITH INTERNAL SANITARY TEE, PIPES & 45° ELBOW
(C)	1	4"DIA SCH 40 PVC OUTLET PIPE WITH INTERNAL SANITARY TEE & PIPES
(D)	1	RISER PIPE, 23 3/8" O.D., FOR 24"(NOMINAL) ACCESS OPENING
(E)	1	7/8 PLATE BAFFLE (18" INVERT) WITH 3-4"DIA HOLES
(F)	2	LIFTING LUG (10" x 4") 25" 25"
(G)	2	16' PREFABRICATED CONCRETE DEADMEN (OPTIONAL)
(X)	2	HOLD DOWN STRAP LOCATION

REVISION DESCRIPTION			
DRN	DATE	CHK'D	DATE
0			

<b>XERXES</b>		CORPORATION	
DRN	DATE	TITLE	6"DIA DW
DAG	6-1-20	CAP.	3,000 GALLONS
PWM	6-1-20	MODEL	01-6-2500-SM-DW
APPR'D		DR SITE OR NUMBER	EP WEST
SALES MANAGER		REV	D 664-944 00
David Holmes		SCALE	1/2"=1'-0"
		INDUSTRY TYPE	M210 PLUMBING ENGINEERED SOLUTIONS
			SHt 1 of 1