

NOTES

1. WHEN THIS DRAWING IS USED AS AN ORDER SUBMITTAL, IT MUST BE SIGNED, AND AN ORDER SUBMITTAL FORM MUST BE INCLUDED.
2. 30 YEAR WARRANTY COVERAGE - SEE INTERCEPTOR LIMITED WARRANTY FOR DETAILS
3. OPTIONAL ACCESSORIES (LEVEL ALARMS, EXTENSION RISERS, STREET BOXES) ARE ALSO AVAILABLE.
4. INLET AND OUTLET PIPING DIAMETER IS 4" (MINIMUM) AND MUST BE INDICATED ON THE ORDER SUBMITTAL FORM.
5. ALL UPC LABELED GREASE INTERCEPTORS MUST SHIP FROM CAMDENTON, MO.

DESIGN PARAMETERS

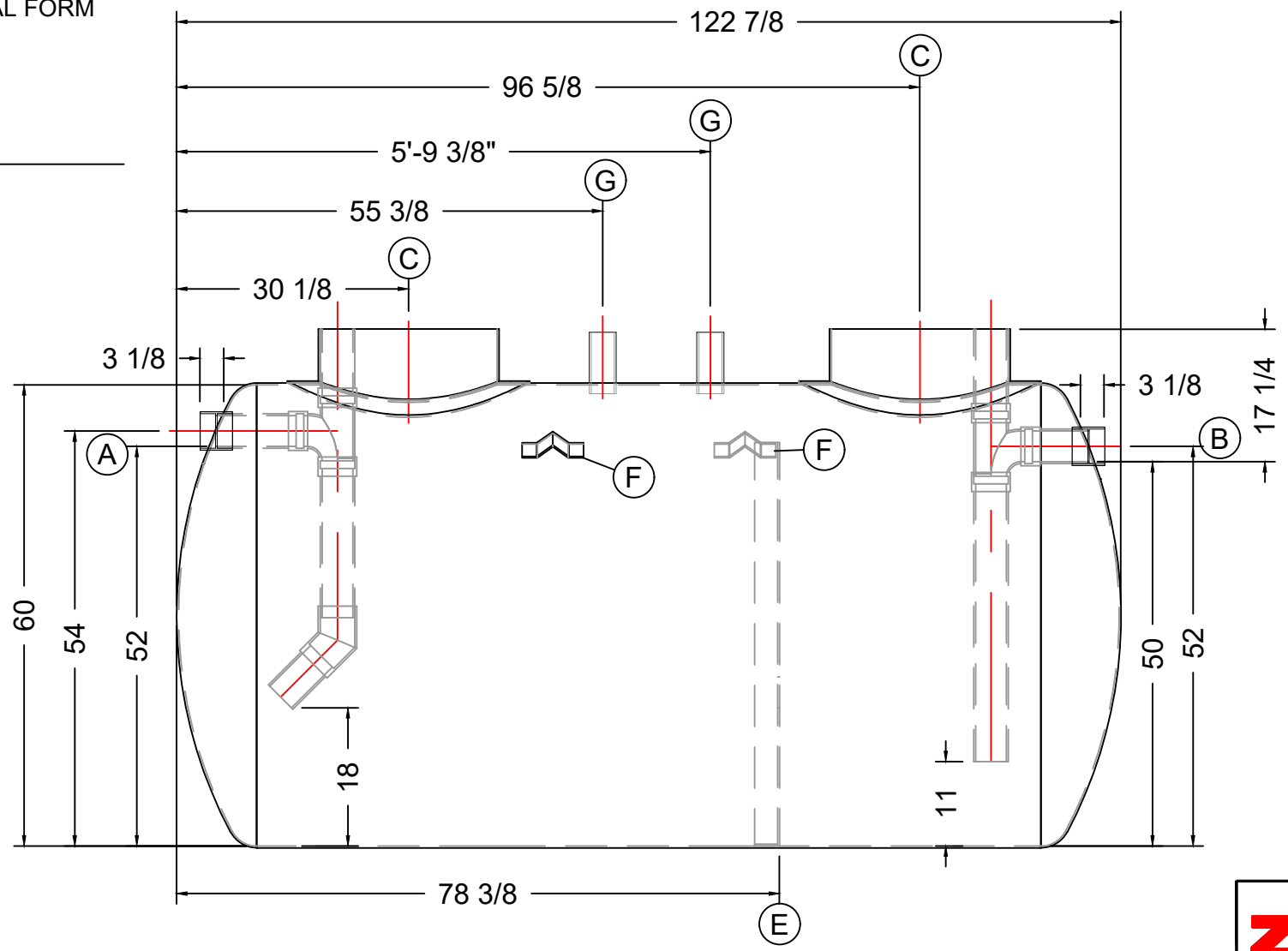
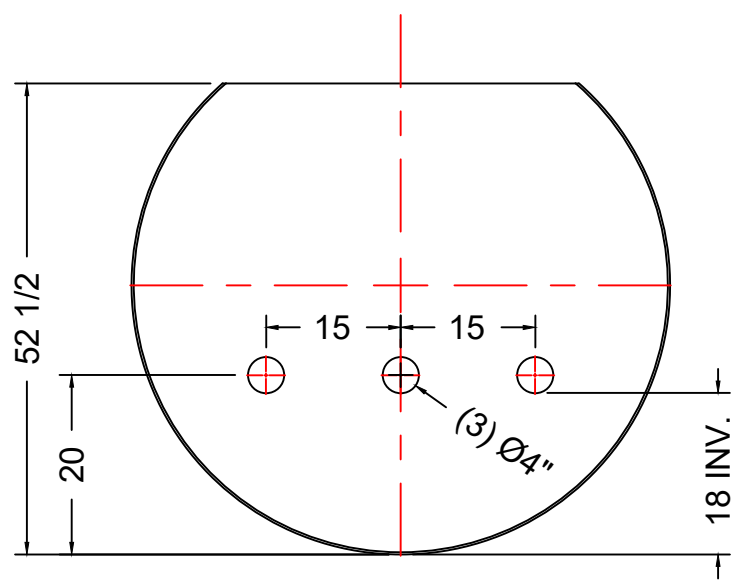
1. TANK SIZE: 5' DIA SINGLE-WALL, 60 1/2" O.D.
2. NOMINAL TANK CAPACITY: 1,399 GALLONS.
3. NOMINAL TANK WEIGHT: 575 LBS.
4. INVERT DIMENSION FROM TANK I.D.
5. CAPACITY AT FLOW LINE: 1252 GALLONS.
6. MAX GREASE CAPACITY: 792 GALLONS.
7. MAX SOLIDS CAPACITY: 282 GALLONS.

APPROVAL

THE UNDERSIGNED ACKNOWLEDGES AND AGREES TO THE USE AND DESIGN PARAMETERS AS DETAILED ON THIS DRAWING AND IN THE ACCOMPANYING ORDER SUBMITTAL FORM AND HEREBY APPROVES FABRICATION.

SIGNATURE _____

PRINTED NAME _____ DATE _____



XERXES
a ZCL company

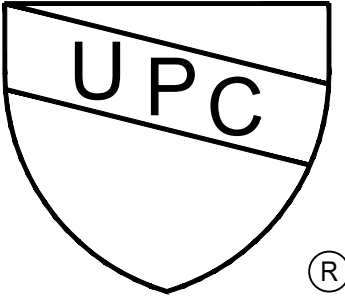
5-XGI-1250

Month/Year Manufactured ___ / ___ / 20 ___

Maximum cover depth _____ 7' _____

Load Limit H20 and HS20 Traffic
(Installed per Manufactures Guidelines)

Nominal Working Volume 1250 Gal



7901 XERXES AVE SO MINNEAPOLIS MN

BILL OF MATERIALS					
ITEM	QTY	SIZE	ITEM	MATERIAL	SERVICE
A	1	4"	INLET TEE ASSEMBLY W/ COUPLING	PVC S40	INLET
B	1	4"	OUTLET TEE ASSEMBLY W/ COUPLING	PVC S40	OUTLET
C	2	24"	ACCESS OPENINGS	FRP	MANWAY
D	2	24"	RISER PIPES (HEIGHT TBD)	PVC	MANWAY
E	1	60"	BAFFLE WALL 52 1/2" TALL W/ (3) 4" HOLES	FRP	BAFFLE
F	2		LIFTING LUGS	STEEL	LIFTING
G	2	3"	PIPE STUB	PVC S40	VENT

ZCL | XERXES

TITLE **MODEL GI-5-1250-UPC
GREASE INTERCEPTOR**

DATE 10-22-20 DR. NO. 33151251

INDUSTRY TYPE: M210 PLUMBING ENGINEERED SOLUTIONS