

**NOTES**

1. WHEN THIS DRAWING IS USED AS AN ORDER SUBMITTAL, IT MUST BE SIGNED, AND AN ORDER SUBMITTAL FORM MUST BE INCLUDED.
2. 30 YEAR WARRANTY COVERAGE - SEE INTERCEPTOR LIMITED WARRANTY FOR DETAILS
3. OPTIONAL ACCESSORIES (LEVEL ALARMS, EXTENSION RISERS, STREET BOXES) ARE ALSO AVAILABLE.
4. INLET AND OUTLET PIPING DIAMETER IS 4" (MINIMUM) AND MUST BE INDICATED ON THE ORDER SUBMITTAL FORM.
5. ALL UPC LABELED GREASE INTERCEPTORS MUST SHIP FROM CAMDENTON, MO.

**DESIGN PARAMETERS**

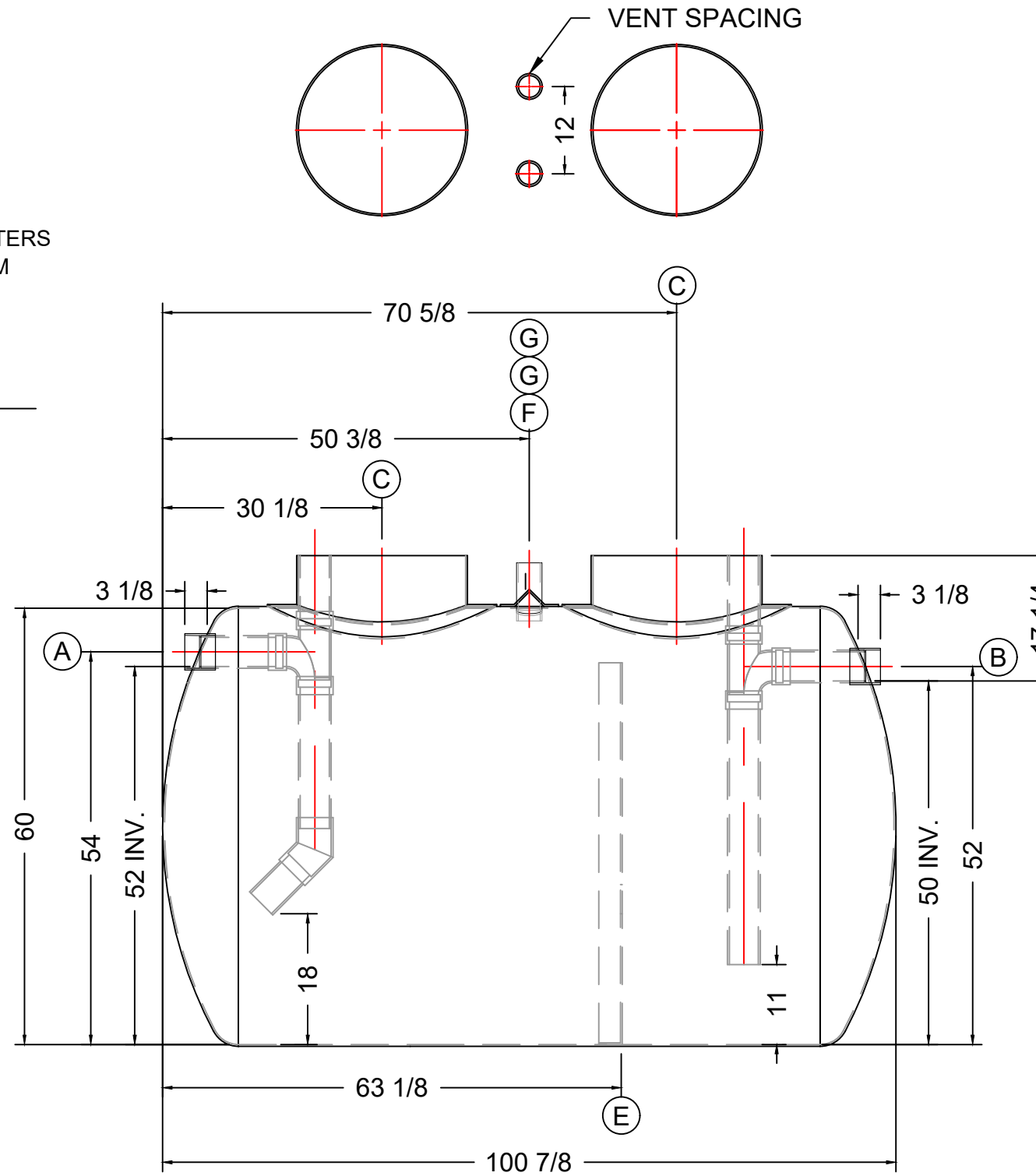
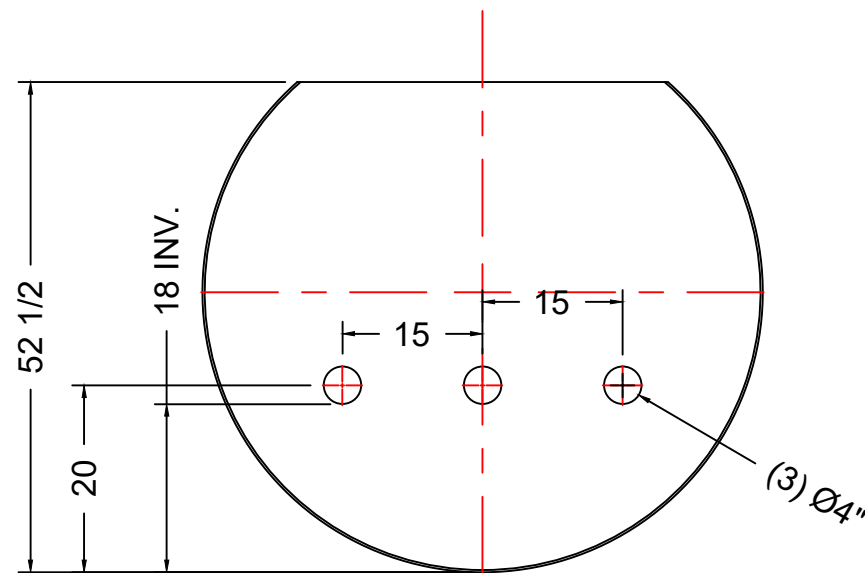
1. TANK SIZE: 5' DIA SINGLE-WALL, 60 1/2" O.D.
2. NOMINAL TANK CAPACITY: 1,118 GALLONS.
3. NOMINAL TANK WEIGHT: 500 LBS.
4. INVERT DIMENSION FROM TANK I.D.
5. CAPACITY AT FLOW LINE: 1001 GALLONS.
6. MAX GREASE CAPACITY: 642 GALLONS.
7. MAX SOLIDS CAPACITY: 225 GALLONS.

**APPROVAL**

THE UNDERSIGNED ACKNOWLEDGES AND AGREES TO THE USE AND DESIGN PARAMETERS AS DETAILED ON THIS DRAWING AND IN THE ACCOMPANYING ORDER SUBMITTAL FORM AND HEREBY APPROVES FABRICATION.

SIGNATURE \_\_\_\_\_

PRINTED NAME \_\_\_\_\_ DATE \_\_\_\_\_



**XERXES**  
a zcl company

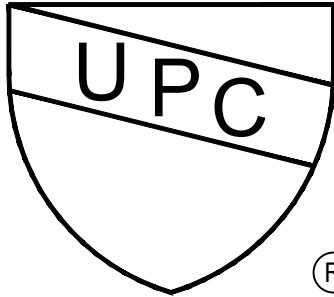
**5-XGI-1000**

Month/Year Manufactured    \_\_\_ /20 \_\_\_

Maximum cover depth        7'

Load Limit                    H20 and HS20 Traffic  
(Installed per Manufactures Guidelines)

Nominal Working Volume        1000 Gal



7901 XERXES AVE SO MINNEAPOLIS MN

BILL OF MATERIALS					
ITEM	QTY	SIZE	ITEM	MATERIAL	SERVICE
A	1	4"	INLET TEE ASSEMBLY W/ COUPLING	PVC S40	INLET
B	1	4"	OUTLET TEE ASSEMBLY W/ COUPLING	PVC S40	OUTLET
C	2	24"	ACCESS OPENINGS	FRP	MANWAY
D	2	24"	RISER PIPES (HEIGHT TBD)	PVC	MANWAY
E	1	60"	BAFFLE WALL 52 1/2" TALL W/ (3) 4" HOLES	FRP	BAFFLE
F	1		LIFTING LUGS	STEEL	LIFTING
G	2	3"	PIPE STUB	PVC S40	VENT

**ZCL | XERXES**

TITLE  
**MODEL GI-5-1000-UPC  
GREASE INTERCEPTOR**

DATE **10-22-20** DR. NO. **33151001**

INDUSTRY TYPE: M210 PLUMBING ENGINEERED SOLUTIONS