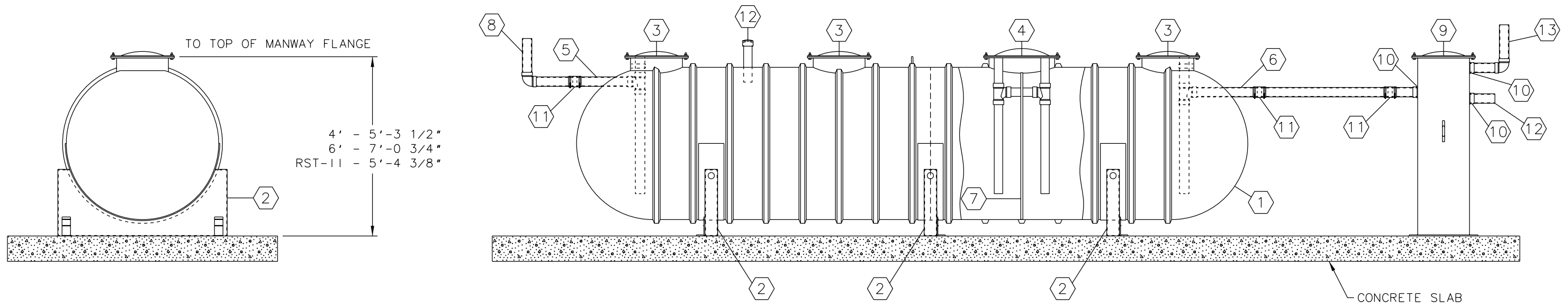
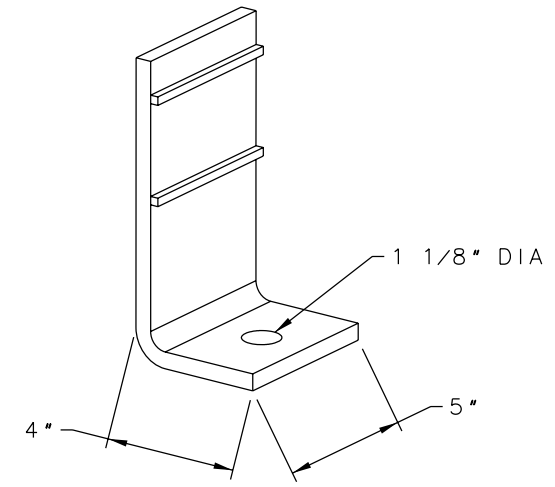


- GREY COLORED

**CROSS-OVER & BAFFLE DETAIL**



NO.	DESCRIPTION
1	XERXES SINGLE WALL FRP TANK
2	ATTACHED FIBERGLASS SADDLE WITH 2 TIE DOWN LUGS
3	24" DIA MANWAY WITH FIBERGLASS BOLT-ON COVER
4	30" DIA MANWAY WITH FIBERGLASS BOLT-ON COVER
5	4" DIA SCH 40 PVC INLET PIPING WITH INTERNAL SANITARY TEE & PIPES
6	4" DIA SCH 40 PVC OUTLET PIPING WITH INTERNAL SANITARY TEE & PIPES
7	FULL PLATE BAFFLE WITH DOUBLE SANITARY TEE & PIPES
8	KITCHEN DRAIN PIPE
9	24" DIA VERTICAL SAMPLING PORT WITH FIBERGLASS BOLT-ON COVER
10	CAST IRON HUB FOR TANK WALL PENETRATION
11	FERNCO RUBBER FLEX CONNECTOR
12	EFFLUENT SAMPLING PORT LINE
13	VENT LINE



**TIE DOWN LUG DETAIL**

**GREASE**

This drawing is for illustrative purposes only.  
Consult with an engineer for specific applications.

**XERXES®**  
a ZCL company

TITLE SINGLE-WALL ABOVE GROUND  
IAPMO GREASE INTERCEPTOR

DATE 5-16 DR. NO. S20-221-01