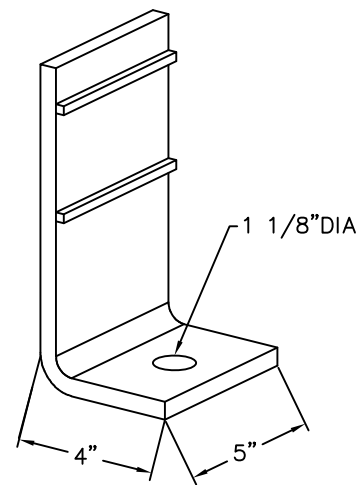
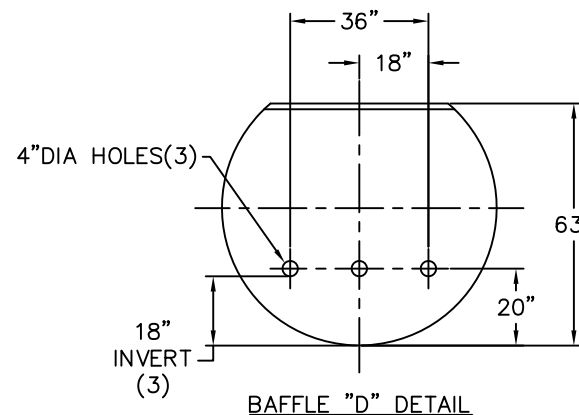


DESIGN PARAMETERS

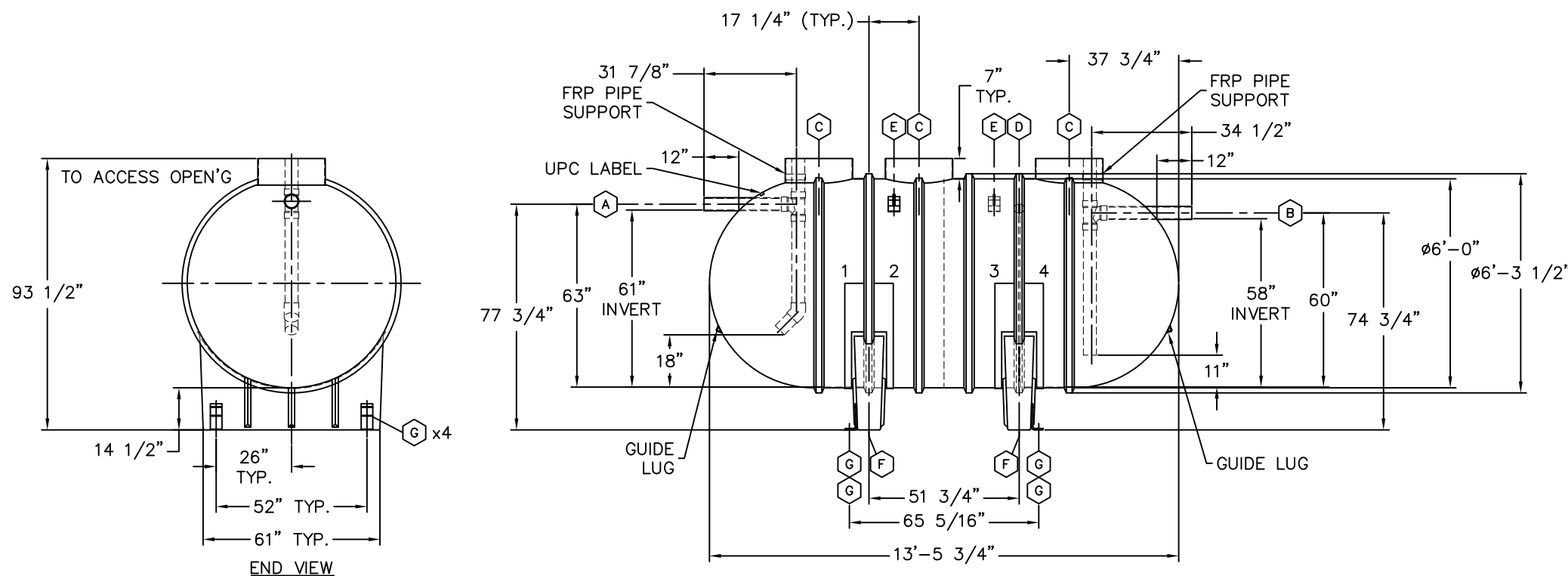
1. TANK SIZE: 6' DIA SINGLE-WALL, 72" O.D.
2. NOMINAL TANK CAPACITY: 2,000 GALLONS.
3. NOMINAL TANK WEIGHT: 1,500 LBS.
4. INVERT DIMENSION FROM TANK I.D.
5. CAPACITY AT FLOW LINE: 2,100 GALLONS.
6. MAX GREASE CAPACITY: 1,654 GALLONS.
7. MAX SOLIDS CAPACITY: 328 GALLONS.



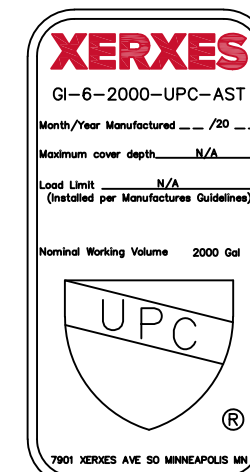
ANCHOR LUG DETAIL
(2 PER SADDLE)



BAFFLE "D" DETAIL



- NOTES:
1. TANK HAS IAPMO LABEL.
 2. TANK IS MADE WITH UV PROTECTION.



XGI RATED CAPACITY
2,000 GALLONS

ITEM	QTY	DESCRIPTION
(A)	1	4" DIA SCH 40 PVC INLET PIPE WITH INTERNAL SANITARY TEE, PIPES & 45° ELBOW
(B)	1	4" DIA SCH 40 PVC OUTLET PIPE WITH INTERNAL SANITARY TEE & PIPES
(C)	3	RISER PIPE, 2 3/8" O.D., FOR 24" (NOMINAL) ACCESS OPENING
(D)	1	63" HIGH PLATE BAFFLE (18" INVERT) WITH 3-4" DIA HOLES
(E)	2	LIFTING LUG (10" x 4") 25", 25"
(F)	2	FRP SADDLE
(G)	4	ANCHOR LUG (CODE 649-214)

00		REVISION DESCRIPTION			
DRN	DATE	CHK'D	DATE	APPR'D	DATE
-	-	-	-	-	-
XERXES					
DR	DATE	TITLE			
LJB	01-12-23	6' DIA SW AST-H			
APPR'D		CAP. 2,000 GALLONS			
DATE		MODEL GI-6-2000-UPC-AST			
-		SAN DIEGO			
SALES MANAGER		DR. SIZE		DR. NUMBER	
DAVID HOLMES		B		XS-003173	
SCALE:		N.T.S.		REV	
				00	
INDUSTRY TYPE: M210 PLUMBING ENGINEERED SOLUTIONS					