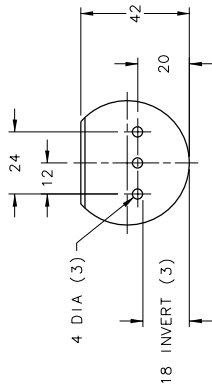
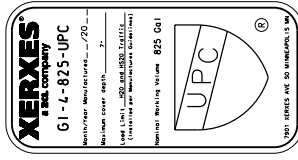
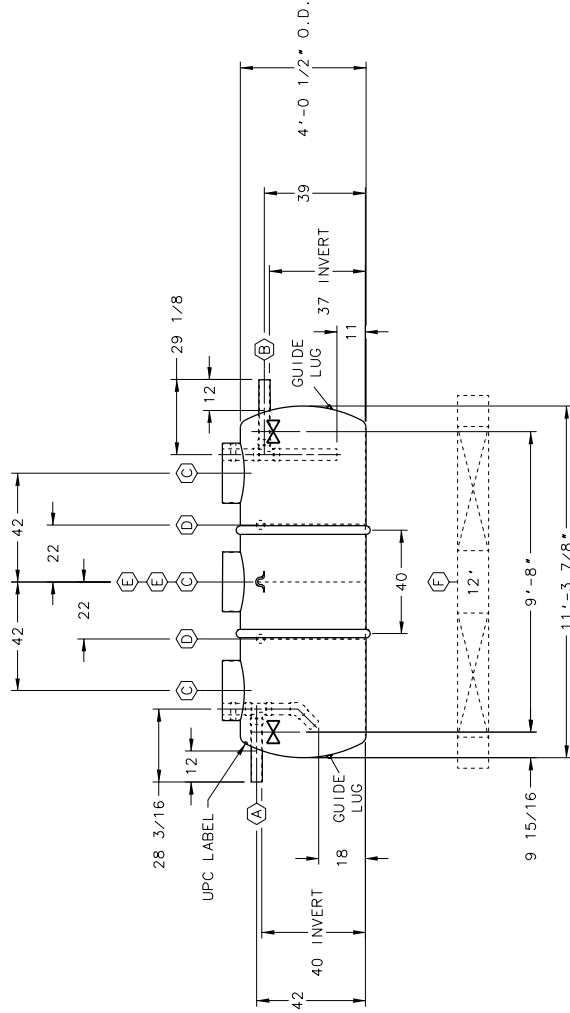


NOTE:

- 1 - INVERT DIMENSION FROM TANK I. D.
- 2 - TANK HAS IAPMO LABEL.
- 3 - OPTIONAL PREFABRICATED DEADMEN SHOWN. IF DEADMEN ARE ADDED TO THE ORDER, ACCOMMODATIONS MAY BE REQUIRED TO SECURE THE STRAPS TO THE DEADMEN.
- 4 - NOMINAL TANK WEIGHT: 900 LBS.



BAFFLE DETAIL



GI RATED CAPACITY  
825 GALLONS

ITEM	QTY	DESCRIPTION
(A)	1	4"DIA SCH 40 PVC INLET PIPE WITH INTERNAL SANITARY TEE, PIPES & 45° ELBOW
(B)	1	4"DIA SCH 40 PVC OUTLET PIPE WITH INTERNAL SANITARY TEE & PIPES
(C)	3	RISER PIPE, 23 3/8" O.D., FOR 24" (NOMINAL) ACCESS OPENING
(D)	2	7/8 PLATE BAFFLE (18" INVERT) WITH 3-4"DIA HOLES
(E)	2	LIFTING LUG
(F)	2	12" PREFABRICATED CONCRETE DEADMEN (OPTIONAL)
(X)	2	HOLD DOWN STRAP LOCATION

REVISION DESCRIPTION		DATE	BY	CHKD
0				

DATE	BY	CHKD	DATE	BY	CHKD

DATE	BY	CHKD	DATE	BY	CHKD

TITLE	4" DIA SW
CAP.	1,000 GALLONS
MODEL	G1-4-825-PHX-UPC
SCALE	PHOENIX
DRAWING NO.	D 658-540
REV	00
INDUSTRY TYPE	M210 PLUMBING ENGINEERED SOLUTIONS