

NOTES

1. WHEN THIS DRAWING IS USED AS AN ORDER SUBMITTAL, IT MUST BE SIGNED, AND AN ORDER SUBMITTAL FORM MUST BE INCLUDED.
2. 30 YEAR WARRANTY COVERAGE - SEE INTERCEPTOR LIMITED WARRANTY FOR DETAILS
3. OPTIONAL ACCESSORIES (LEVEL ALARMS, EXTENSION RISERS, STREET BOXES) ARE ALSO AVAILABLE.
4. INLET AND OUTLET PIPING DIAMETER IS 6" (MINIMUM) AND MUST BE INDICATED ON THE ORDER SUBMITTAL FORM.
5. ALL UPC LABELED GREASE INTERCEPTORS MUST SHIP FROM THE ANAHEIM FACILITY.

DESIGN PARAMETERS

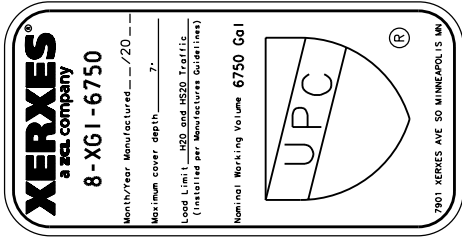
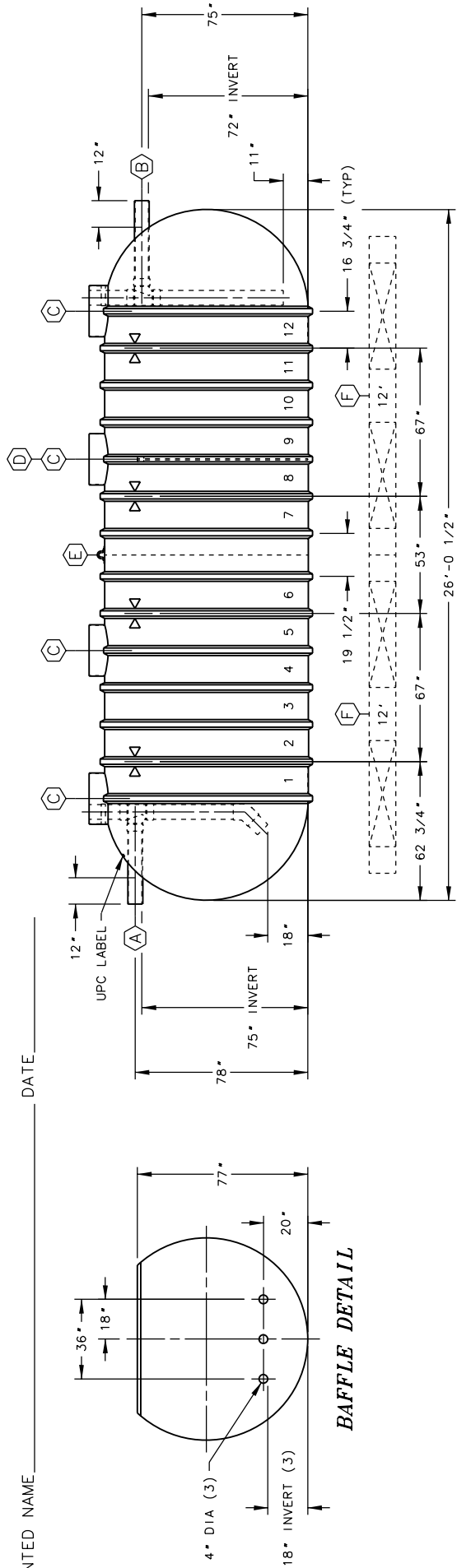
1. TANK SIZE: 8' DIA SINGLE-WALL, 92" O.D.
2. NOMINAL TANK CAPACITY: 8,000 GALLONS.
3. NOMINAL TANK WEIGHT: 3,400 LBS.
4. INVERT DIMENSION FROM TANK I.D.
5. CAPACITY AT FLOW LINE: 6823 GALLONS.
6. MAX GREASE CAPACITY: 5758 GALLONS.
7. MAX SOLIDS CAPACITY: 788 GALLONS.

APPROVAL

THE UNDERSIGNED ACKNOWLEDGES AND AGREES TO THE USE AND DESIGN PARAMETERS AS DETAILED ON THIS DRAWING AND IN THE ACCOMPANYING ORDER SUBMITTAL FORM AND HEREBY APPROVES FABRICATION.

SIGNATURE _____ DATE _____

PRINTED NAME _____ DATE _____



ITEM	QTY	DESCRIPTION
(A)	1	SCH 40 PVC INLET PIPE WITH INTERNAL SANITARY TEE, PIPES & 45° ELBOW
(B)	1	SCH 40 PVC OUTLET PIPE WITH INTERNAL SANITARY TEE & PIPES
(C)	4	RISER PIPE, 23 3/8" O.D., FOR 24" (NOMINAL) ACCESS OPENING
(D)	1	77" HIGH PLATE BAFFLE WITH 3-4"DIA HOLES (18" INVERT)
(E)	1	LIFTING LUG
(F)	4	OPTIONAL 12" PREFABRICATED CONCRETE DEADMEN
(X)	4	HOLD DOWN STRAP LOCATION

XERXES
a zcl company

TITLE
**MODEL GI-8-6750-UPC
GREASE INTERCEPTOR**

DATE 1-17 DR. NO. S11-927.00

INDUSTRY TYPE: M210 PLUMBING ENGINEERED SOLUTIONS