

**NOTES**

1. WHEN THIS DRAWING IS USED AS AN ORDER SUBMITTAL, IT MUST BE SIGNED, AND AN ORDER SUBMITTAL FORM MUST BE INCLUDED.
2. 30 YEAR WARRANTY COVERAGE - SEE INTERCEPTOR LIMITED WARRANTY FOR DETAILS
3. OPTIONAL ACCESSORIES (LEVEL ALARMS) ARE ALSO AVAILABLE.
4. INLET AND OUTLET PIPING DIAMETER IS 4" (MINIMUM) AND MUST BE INDICATED ON THE ORDER SUBMITTAL FORM.

**DESIGN PARAMETERS**

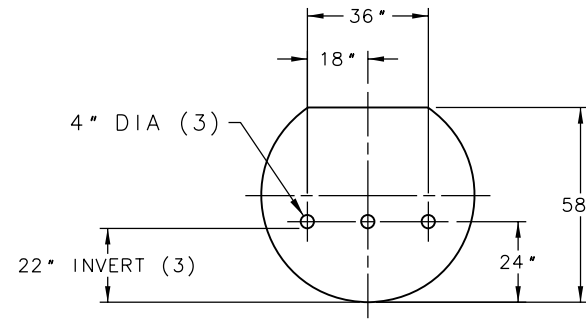
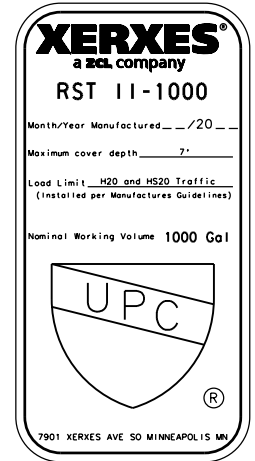
1. TANK SIZE: 5' DIA SINGLE-WALL, 60" O.D.
2. NOMINAL TANK CAPACITY: 1,000 GALLONS.
3. NOMINAL TANK WEIGHT: 600 LBS.
4. INVERT DIMENSION FROM TANK I.D.
5. CAPACITY AT FLOW LINE: 1043 GALLONS.
6. MAX GREASE CAPACITY: 785 GALLONS.
7. MAX SOLIDS CAPACITY: 200 GALLONS.

**APPROVAL**

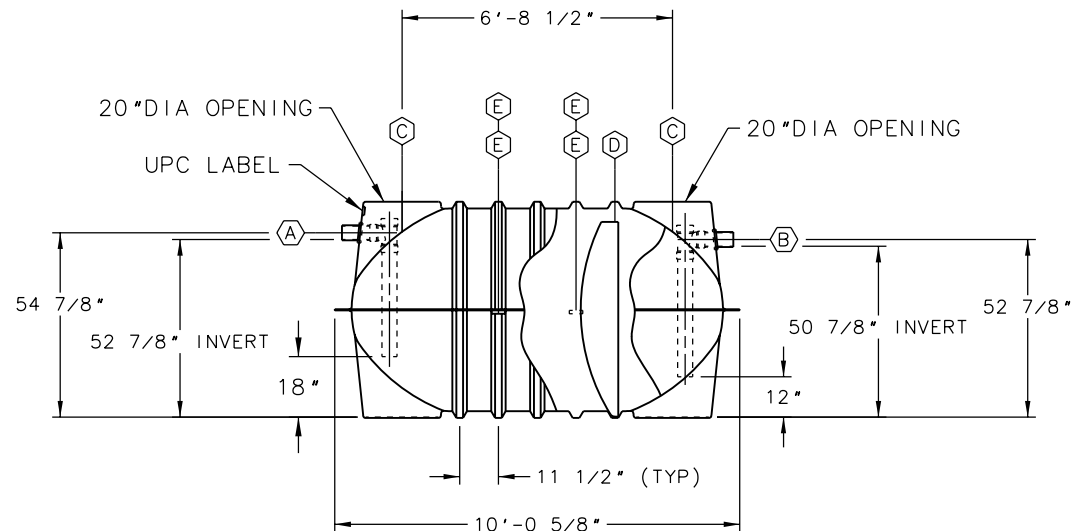
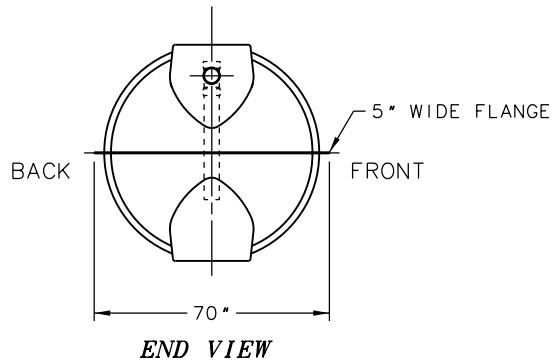
THE UNDERSIGNED ACKNOWLEDGES AND AGREES TO THE USE AND DESIGN PARAMETERS AS DETAILED ON THIS DRAWING AND IN THE ACCOMPANYING ORDER SUBMITTAL FORM AND HEREBY APPROVES FABRICATION.

SIGNATURE \_\_\_\_\_

PRINTED NAME \_\_\_\_\_ DATE \_\_\_\_\_



**BAFFLE DETAIL**



ITEM	QTY	DESCRIPTION
(A)	1	SCH 40 PVC INLET PIPE WITH INTERNAL SANITARY TEE & DOWN PIPE
(B)	1	SCH 40 PVC OUTLET PIPE WITH INTERNAL SANITARY TEE & DOWN PIPE
(C)	2	23" O.D. x 2" HIGH RISER ADAPTER SURFACE WITH 20"DIA OPENING
(D)	1	58" HIGH PLATE BAFFLE WITH 3-4"DIA HOLES (22" INVERT)
(E)	4	LIFTING LUG

**ZCL | XERXES®**

TITLE  
**MODEL GI-5-1000-UPC  
 GREASE INTERCEPTOR**

DATE 6-17 DR. NO. S11-994.00

INDUSTRY TYPE: M210 PLUMBING ENGINEERED SOLUTIONS