

NOTES

1. WHEN THIS DRAWING IS USED AS AN ORDER SUBMITTAL, IT MUST BE SIGNED, AND AN ORDER SUBMITTAL FORM MUST BE INCLUDED.
2. 30 YEAR WARRANTY COVERAGE - SEE INTERCEPTOR LIMITED WARRANTY FOR DETAILS
3. OPTIONAL ACCESSORIES (LEVEL ALARMS, EXTENSION RISERS, STREET BOXES) ARE ALSO AVAILABLE.
4. INLET AND OUTLET PIPING DIAMETER IS 6" (MINIMUM) AND MUST BE INDICATED ON THE ORDER SUBMITTAL FORM.
5. ALL UPC LABELED GREASE INTERCEPTORS MUST SHIP FROM THE ANAHEIM FACILITY.

DESIGN PARAMETERS

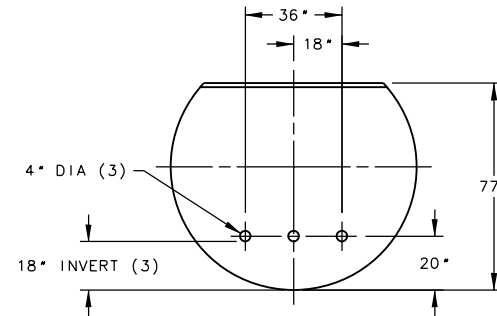
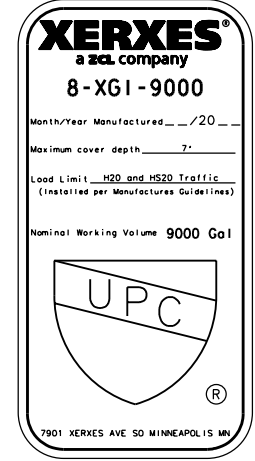
1. TANK SIZE: 8' DIA SINGLE-WALL, 92" O.D.
2. NOMINAL TANK CAPACITY: 11,000 GALLONS.
3. NOMINAL TANK WEIGHT: 4,700 LBS.
4. INVERT DIMENSION FROM TANK I.D.
5. CAPACITY AT FLOW LINE: 9213 GALLONS.
6. MAX GREASE CAPACITY: 7748 GALLONS.
7. MAX SOLIDS CAPACITY: 1088 GALLONS.

APPROVAL

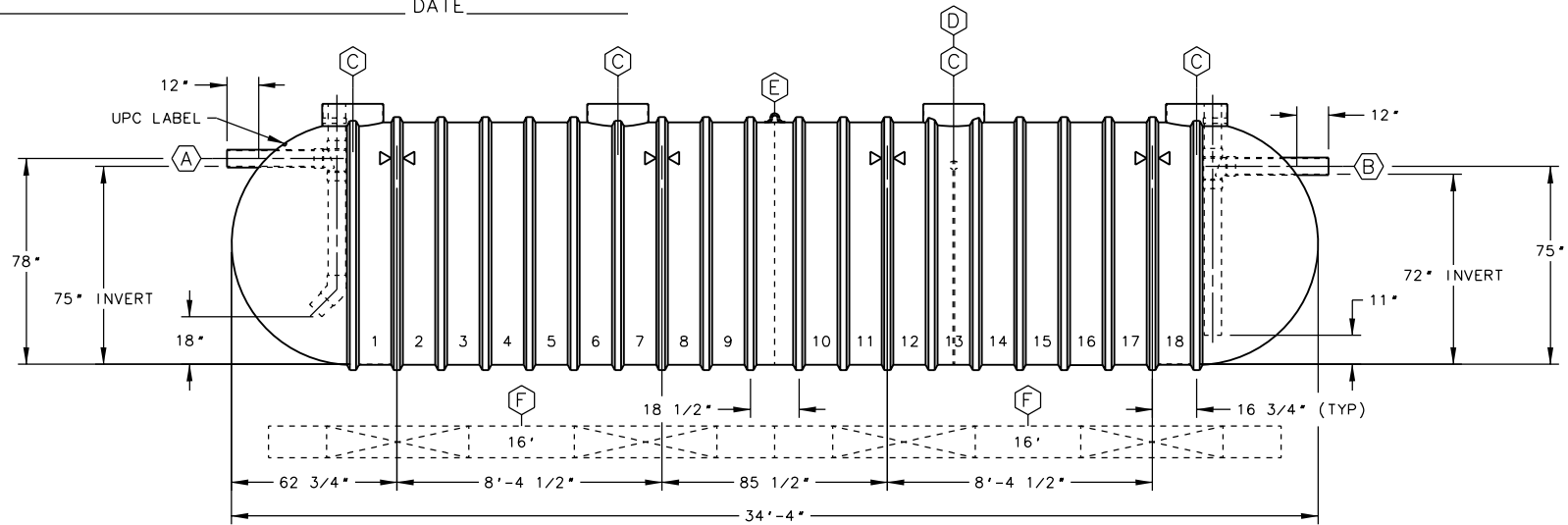
THE UNDERSIGNED ACKNOWLEDGES AND AGREES TO THE USE AND DESIGN PARAMETERS AS DETAILED ON THIS DRAWING AND IN THE ACCOMPANYING ORDER SUBMITTAL FORM AND HEREBY APPROVES FABRICATION.

SIGNATURE _____

PRINTED NAME _____ DATE _____



BAFFLE DETAIL



ITEM	QTY	DESCRIPTION
(A)	1	SCH 40 PVC INLET PIPE WITH INTERNAL SANITARY TEE, PIPES & 45° ELBOW
(B)	1	SCH 40 PVC OUTLET PIPE WITH INTERNAL SANITARY TEE & PIPES
(C)	4	RISER PIPE, 23 3/8" O.D., FOR 24"(NOMINAL) ACCESS OPENING
(D)	1	77" HIGH PLATE BAFFLE WITH 3-4" DIA HOLES (18" INVERT)
(E)	1	LIFTING LUG
(F)	4	OPTIONAL 16' PREFABRICATED CONCRETE DEADMEN
(X)	4	HOLD DOWN STRAP LOCATION

XERXES
a zcl company

TITLE
**MODEL GI-8-9000-UPC
GREASE INTERCEPTOR**

DATE 1-17 DR. NO. S11-930.00

INDUSTRY TYPE: M210 PLUMBING ENGINEERED SOLUTIONS