

**NOTES**

1. WHEN THIS DRAWING IS USED AS AN ORDER SUBMITTAL, IT MUST BE SIGNED, AND AN ORDER SUBMITTAL FORM MUST BE INCLUDED.
2. 30 YEAR WARRANTY COVERAGE - SEE INTERCEPTOR LIMITED WARRANTY FOR DETAILS
3. OPTIONAL ACCESSORIES (LEVEL ALARMS, EXTENSION RISERS, STREET BOXES) ARE ALSO AVAILABLE.
4. INLET AND OUTLET PIPING DIAMETER IS 6" (MINIMUM) AND MUST BE INDICATED ON THE ORDER SUBMITTAL FORM.
5. ALL UPC LABELED GREASE INTERCEPTORS MUST SHIP FROM THE ANAHEIM FACILITY.

**DESIGN PARAMETERS**

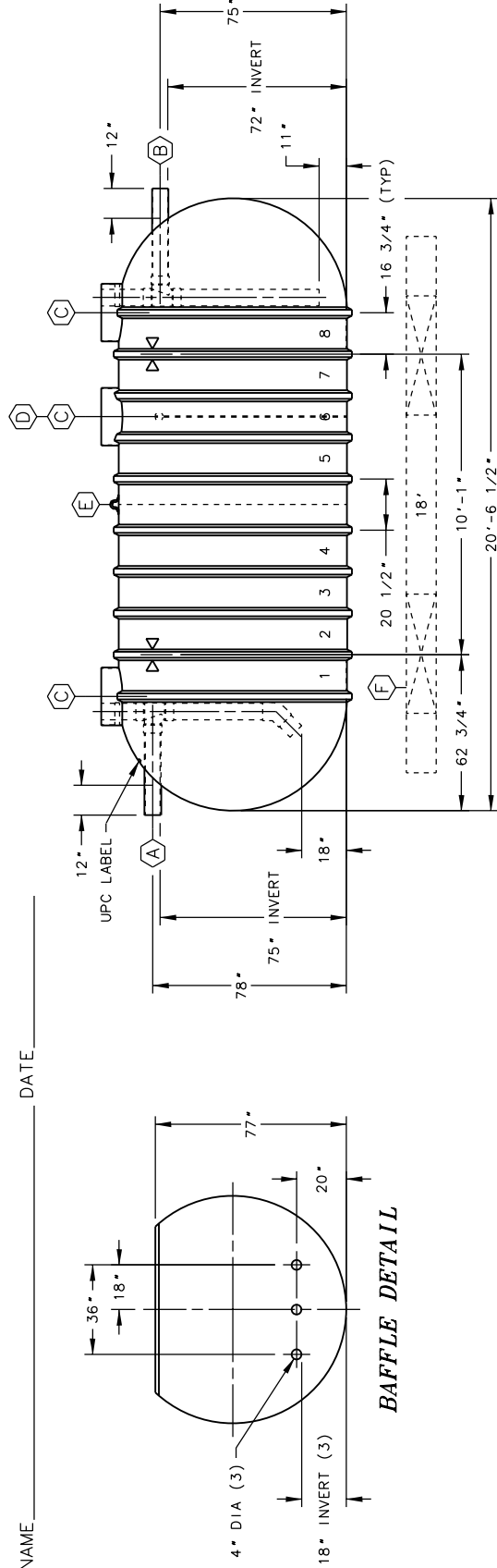
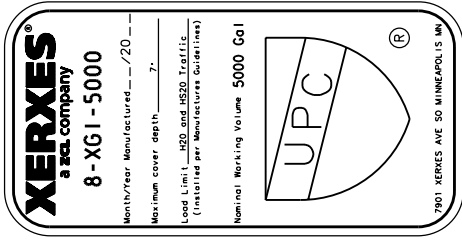
1. TANK SIZE: 8' DIA SINGLE-WALL, 92" O.D.
2. NOMINAL TANK CAPACITY: 6,000 GALLONS.
3. NOMINAL TANK WEIGHT: 2,600 LBS.
4. INVERT DIMENSION FROM TANK I.D.
5. CAPACITY AT FLOW LINE: 5237 GALLONS.
6. MAX GREASE CAPACITY: 4439 GALLONS.
7. MAX SOLIDS CAPACITY: 589 GALLONS.

**APPROVAL**

THE UNDERSIGNED ACKNOWLEDGES AND AGREES TO THE USE AND DESIGN PARAMETERS AS DETAILED ON THIS DRAWING AND IN THE ACCOMPANYING ORDER SUBMITTAL FORM AND HEREBY APPROVES FABRICATION.

SIGNATURE \_\_\_\_\_ DATE \_\_\_\_\_

PRINTED NAME \_\_\_\_\_



ITEM	QTY	DESCRIPTION
(A)	1	SCH 40 PVC INLET PIPE WITH INTERNAL SANITARY TEE, PIPES & 45° ELBOW
(B)	1	SCH 40 PVC OUTLET PIPE WITH INTERNAL SANITARY TEE & PIPES
(C)	3	RISER PIPE, 23 3/8" O.D., FOR 24" (NOMINAL) ACCESS OPENING
(D)	1	77" HIGH PLATE BAFFLE WITH 3-4" DIA HOLES (18" INVERT)
(E)	1	LIFTING LUG
(F)	2	OPTIONAL 18" PREFABRICATED CONCRETE DEADMEN
(X)	2	HOLD DOWN STRAP LOCATION

**XERXES**  
a zcl company

TITLE: MODEL G1-8-5000-UPC GREASE INTERCEPTOR

DATE: 1-17 DR. NO. S11-925.00

INDUSTRY TYPE: M210 PLUMBING ENGINEERED SOLUTIONS