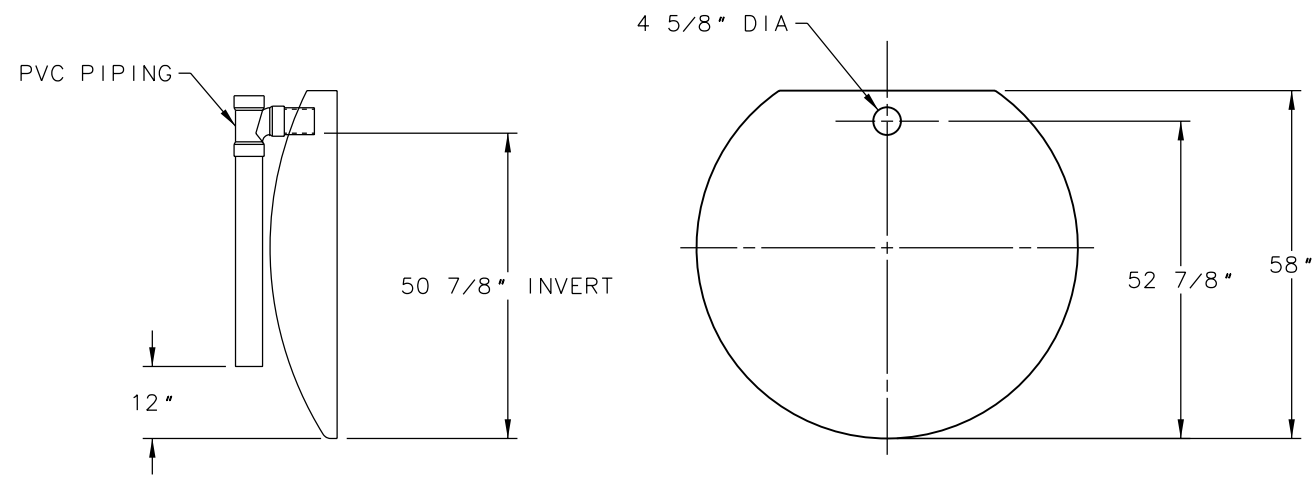
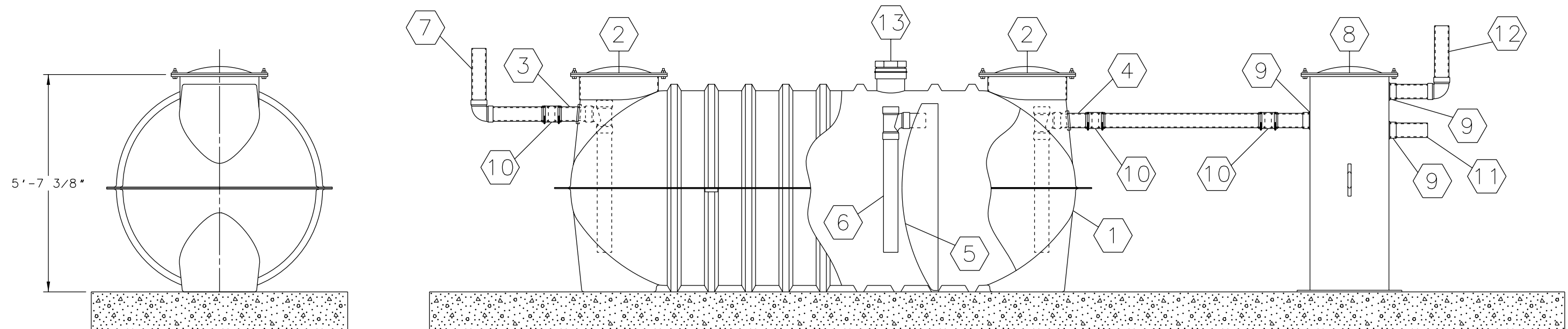


- GREY COLORED



CROSS-OVER & BAFFLE DETAIL



NO.	DESCRIPTION
1	XERXES SINGLE WALL FRP TANK
2	24" DIA MANWAY WITH FIBERGLASS BOLT-ON COVER
3	4" DIA SCH 40 PVC INLET PIPING WITH INTERNAL SANITARY TEE & PIPES
4	4" DIA SCH 40 PVC OUTLET PIPING WITH INTERNAL SANITARY TEE & PIPES
5	FRP BAFFLE WALL
6	4" DIA SCH 40 PVC SANITARY TEE CROSSOVER
7	KITCHEN DRAIN PIPE
8	24" DIA VERTICAL SAMPLING PORT WITH FIBERGLASS BOLT-ON COVER
9	CAST IRON HUB FOR TANK WALL PENETRATION
10	FERNCO RUBBER FLEX CONNECTOR
11	EFFLUENT SAMPLING PORT LINE
12	VENT LINE
13	PVC ACCESS PIPE WITH PLUG

GREASE

This drawing is for illustrative purposes only.
Consult with an engineer for specific applications.

XERXES[®]
a ZCL company

TITLE SINGLE-WALL ABOVE GROUND
RST-II IAPMO GREASE INTERCEPTOR

DATE 5-16 DR. NO. S20-220-01