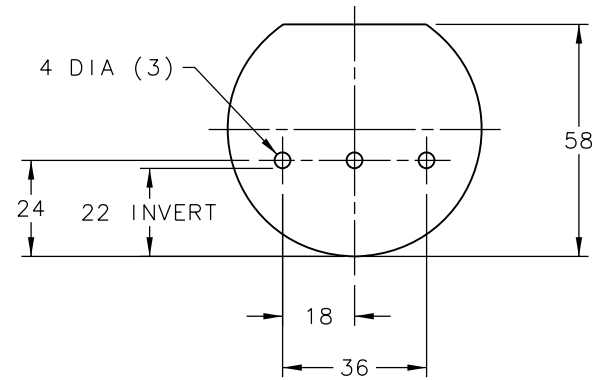
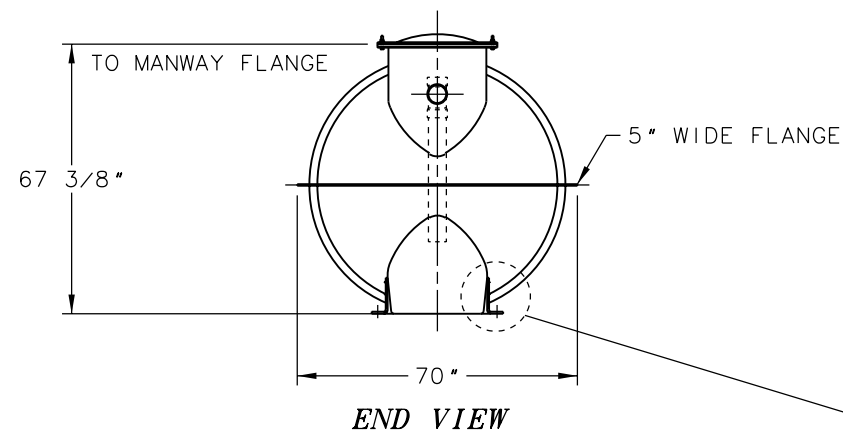
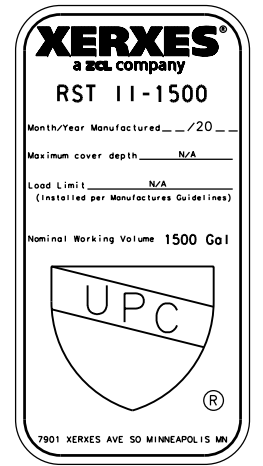
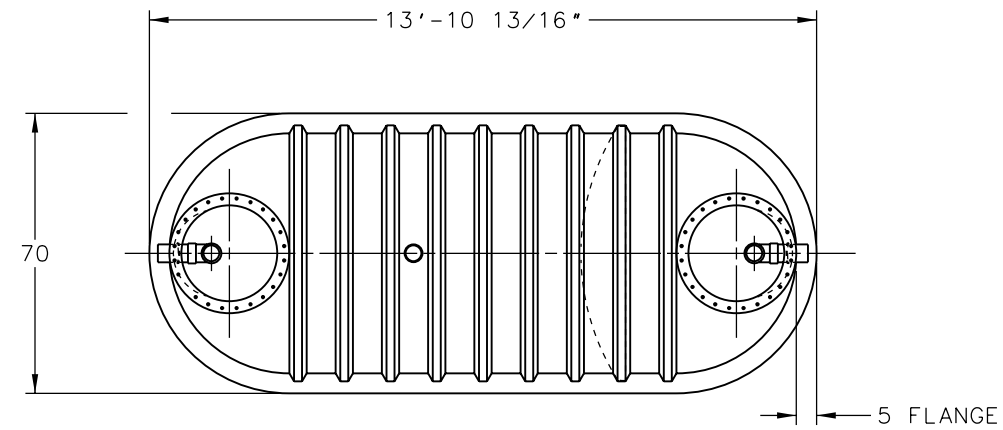


NOTE:

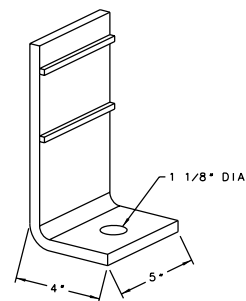
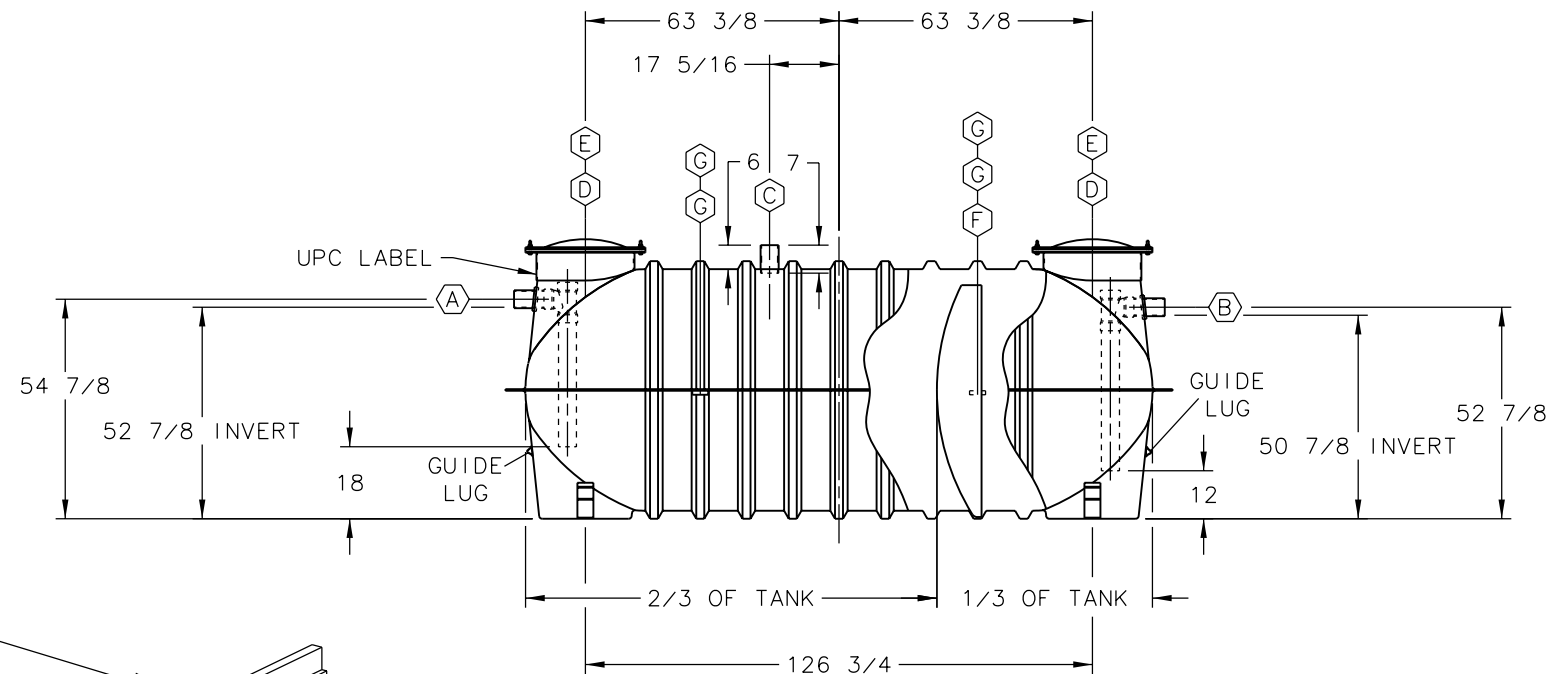
- 1 - INVERT DIMENSION FROM TANK I.D.
- 2 - TANK HAS IAPMO LABEL.
- 3 - NOMINAL TANK WEIGHT: 800 LBS.



BAFFLE DETAIL



END VIEW



ANCHOR LUG DETAIL
SCALE: 1/4
(2 PER END)

ITEM	QTY	DESCRIPTION
(A)	1	4" DIA SCH 40 PVC INLET PIPE WITH INTERNAL SANITARY TEE & PIPES
(B)	1	4" DIA SCH 40 PVC OUTLET PIPE WITH INTERNAL SANITARY TEE & PIPES
(C)	1	4" DIA SCH 40 PVC VERTICAL PIPE
(D)	2	24" DIA MANWAY WITH FRP COVER (30" O.D. FLANGE)
(E)	2	S.S. STUD BOLT RING FOR 24" DIA MANWAYS (30" OD FLANGE)
(F)	1	7/8 PLATE BAFFLE (22" INVERT) WITH 3 - 4" DIA HOLES
(G)	4	LIFTING LUG (2 ON EACH SIDE OF TANK)

2		ADD ANCHOR LUGS & DETAIL			
DRN	DATE	CHK'D	DATE	APPR'D	DATE
DAG	10-28-19	-	-	-	-
1		DELETE NOTE #4 FOR U.V. PROTECTION			
DRN	DATE	CHK'D	DATE	APPR'D	DATE
DAG	10-9-18	-	-	-	-
XERXES CORPORATION					
DRN	DATE	TITLE			
DAG	9-21-18	RST-111 AST-H			
CHK'D	DATE	CAP. 1,500 GALLONS			
APPR'D	DATE	MODEL G1-5-1500-UPC-AST			
SALES MANAGER		ENVIRO PRODUCTS			
Bruce Coe	DR. SIZE	DR. NUMBER	REV		
	D	659-022	02		
SCALE: 1/2" = 1'-0"			SHT 1 OF 1		
INDUSTRY TYPE: M210 PLUMBING ENGINEERED SOLUTIONS					