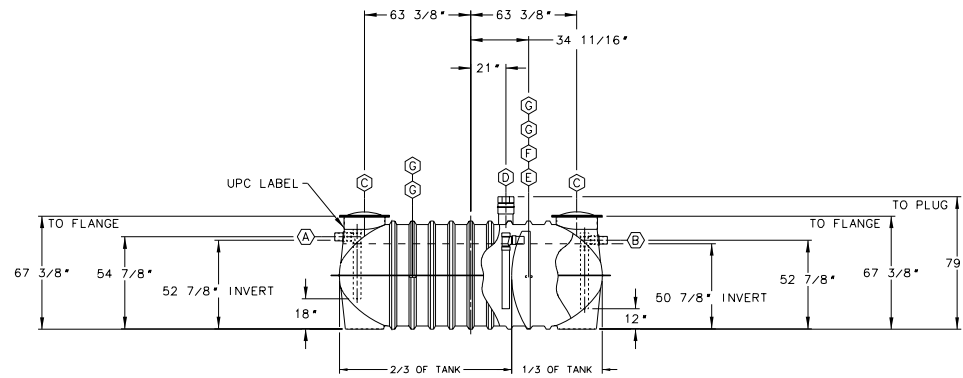
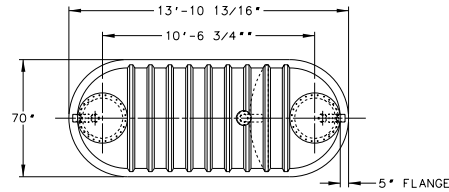
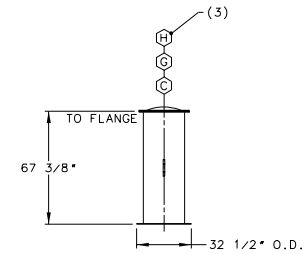


CROSS-OVER & BAFFLE DETAIL



NOTE:

- 1 - TANK USAGE: GREASE INTERCEPTOR.
- 2 - INVERT PIPE DIMENSIONS FROM TANK I.D.
- 3 - UPC LABEL IS LAMINATED ONTO INLET SIDE OF TANK.
- 4 - TANK & SAMPLING PORT EXTERIOR SURFACE FINISHED WITH GRAY GEL COAT.
- 5 - IAPMO LISTED TANKS MUST BE SHIPPED FROM ANAHEIM PLANT.



"OPTIONAL" 24" DIA SAMPLING PORT

1,500 GALLON TANK

ITEM	QTY	DESCRIPTION
(A)	1	4"DIA SCH 40 PVC INLET PIPE WITH INTERNAL SANITARY TEE & PIPES
(B)	1	4"DIA SCH 40 PVC OUTLET PIPE WITH INTERNAL SANITARY TEE & PIPES
(C)	2	24"DIA MANWAY WITH FRP COVER (30" OD FLANGE)
(D)	1	8"DIA SCH 80 PVC PIPE WITH FEMALE THREADED ADAPTER & THREADED PLUG
(E)	1	7/8" PLATE BAFFLE WITH 4 5/8"DIA HOLE FOR CROSS-OVER
(F)	1	4"DIA SCH 40 PVC CROSS-OVER TEE & DOWN PIPE
(G)	4	LIFTING LUG

"OPTIONAL" 24" SAMPLING PORT

(C)	1	24"DIA MANWAY WITH FRP COVER (30" OD FLANGE)
(G)	1	LIFTING LUG
(H)	3	4" GROMMETS, SHIPPED LOOSE WITH ORDER

RATED CAPACITY - 1,560 GALLONS

0 REVISION DESCRIPTION					
REV	DATE	CHK'D	DATE	APP'D	DATE
XERXES a xcel company					
DR	DATE	TITLE	RST-11		
CHK'S	DATE	ABOVE GROUND - 4" PIPE			
DIAG	DATE	CAP. 1,500 GALLONS			
APP'G	DATE	ENVIRO PRODUCTS			
SALES NUMBER		DR. SIZE	DR. NUMBER	REV	
Bruce Coe		D	651-539	00	
INDUSTRY TYPE: M210 GREASE COLLECTION		SCALE: 1/2"=1'-0"		SHT 1 OF 1	